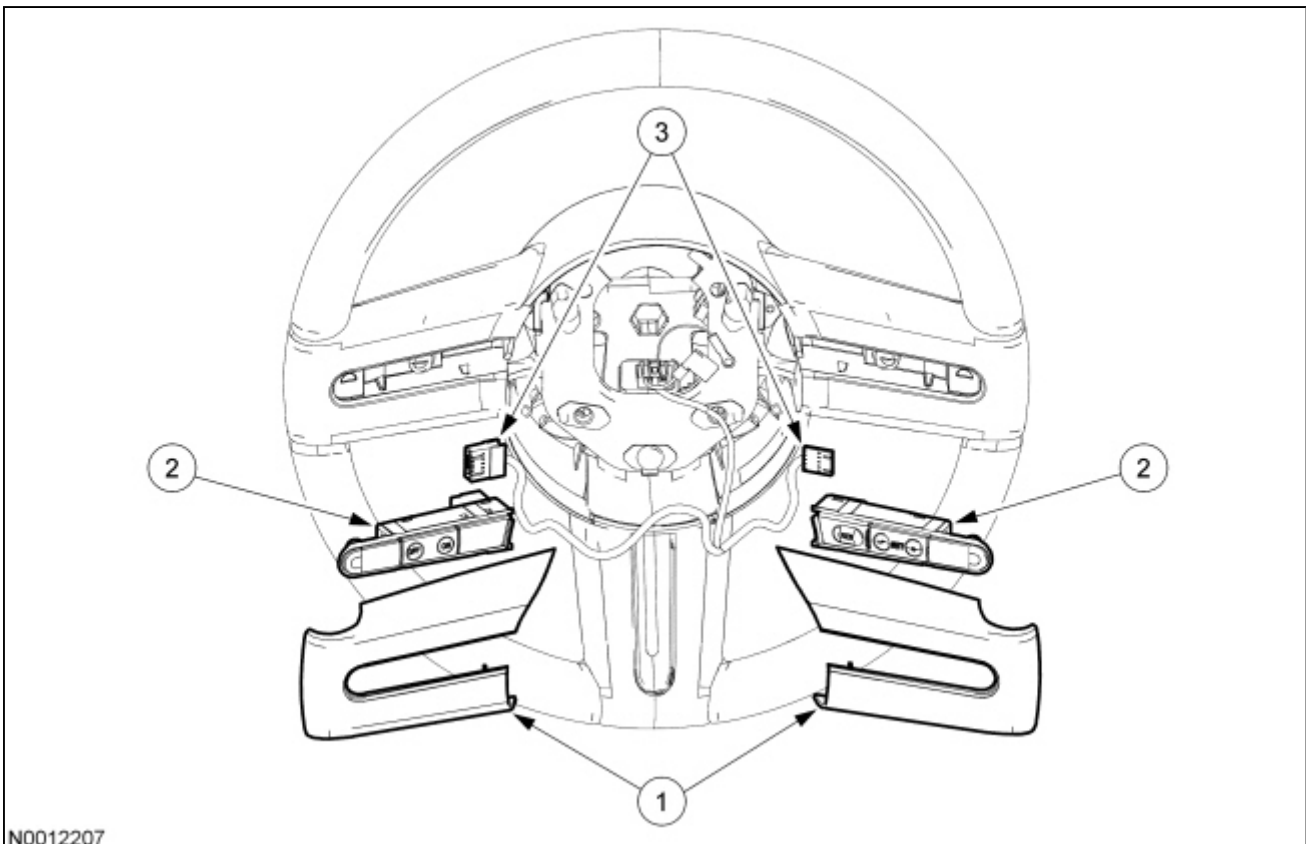


Speed Control Switch



N0012207

Item	Part Number	Description
1	3F830	Steering wheel spoke finish panels (if equipped)
2	9E740	Speed control switches
3	—	Speed control switch electrical connectors

Removal and Installation

1. Remove the driver air bag module. For additional information, refer to [Section 501-20B](#).
2. **NOTE:** Carefully grasp and pull the edges to remove the steering wheel spoke finish panels.

If equipped, remove the steering wheel spoke finish panels.
3. **NOTE:** Using a small, flat-bladed screwdriver, gently pry up the speed control switches from the steering wheel, beginning at the outer edge. Use care not to damage the steering wheel.

Remove the speed control switches.
 - Disconnect the electrical connectors.
4. To install, reverse the removal procedure.

